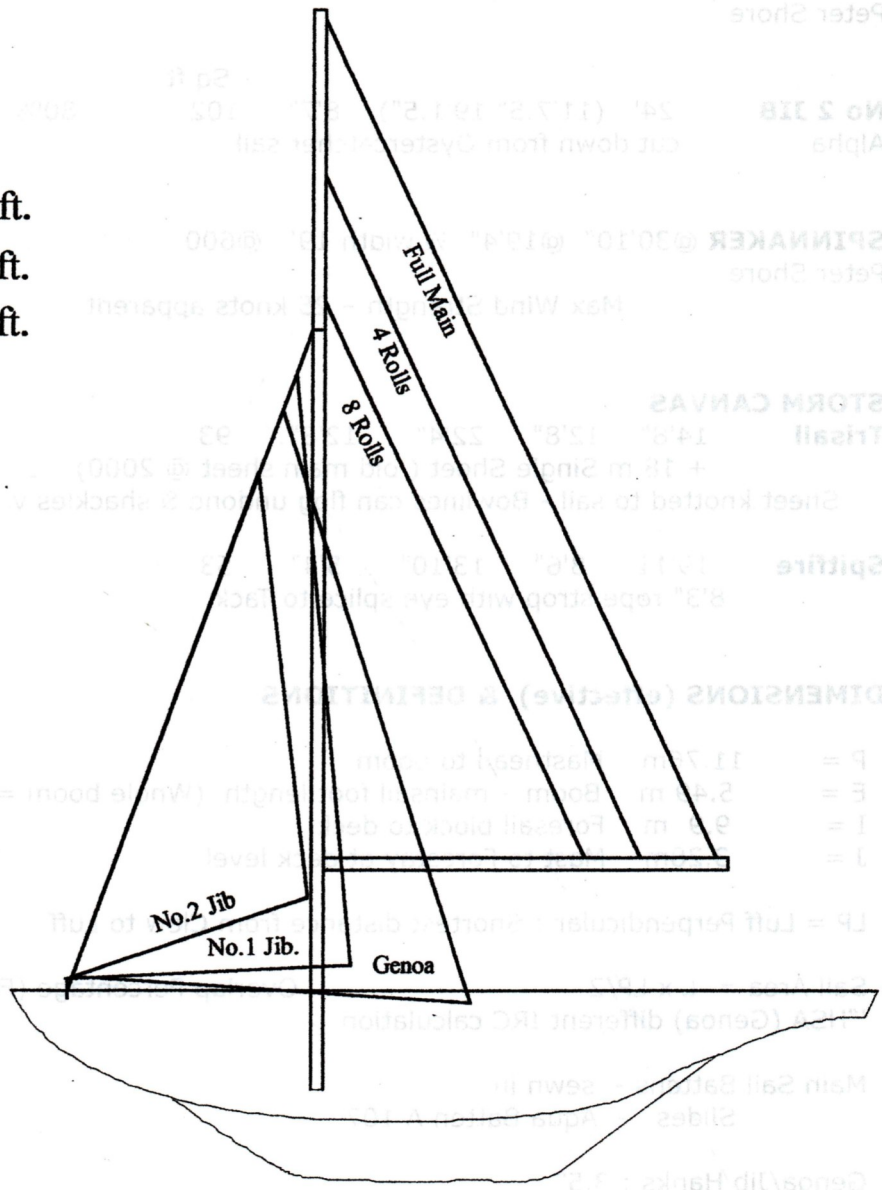


# Sea Scamp Sail Layout with Areas.

Scale 1:100

- No 2 Jib 102 sq.ft.
- No 1 Jib 164 sq.ft.
- Genoa 230 sq.ft.
- Main 8 Rolls 143 sq.ft.
- Main 4 Rolls 213 sq.ft.
- Main Full 326 sq.ft.



sail dimensions      **SEA SCAMP SAIL PLAN**      Sail No 425      Apr 2021

Sail & Maker	Luff	Foot	Leach	LP	Area Sq m	Overlap %	Cloth	new	£
<b>MAIN</b> Peter Shore [7/8 ht 0.95 m / 3/4 ht 1.75 / 1/2 ht 3.2 m]	11.5 m	5.4 m	12.3 m	-	31.1 sq m	-	Dacron 8.77 Marblehead	2013	£2222

CHECK – email 17/3/16

<b>GENOA (LL)</b> Peter Shore	8.2 m	5.2 m	8.4 m	5.0 m	20.5 sq m [HSA]	145%	Marblehead 7.66 Dacron	Mar 2016	£1074
----------------------------------	-------	-------	-------	-------	--------------------	------	---------------------------	----------	-------

<b>No 1 JIB (LL)</b> Peter Shore	8.8 m	3.8 m	7.6 m	3.3 m	14.5 sq.m	100%	Challenge Marblehead 8.77	2014	£ 1064
-------------------------------------	-------	-------	-------	-------	-----------	------	---------------------------------	------	--------

<b>No 2 JIB</b> Peter Shore	24' (11'7.5" 19'1.5")		8'7"		102 9.48 sq m	80%	Challenge M'head 8.77	2014	£ 528
--------------------------------	-----------------------	--	------	--	------------------	-----	--------------------------	------	-------

<b>SPINNAKER</b> Peter Shore	@30'10" 9.4m	@19'4" 5.89m	1/2 width 19' 5.79m	@600 56sq m ?	--	Ripstop Nylon 2001 0.9 oz Tri-radial	£ 693
---------------------------------	--------------	--------------	---------------------	---------------	----	---	-------

Max Wind Strength – 25 knots apparent

<b>ASYMMETRIC SPINNAKER</b> Peter Shore	9.5m	5.9m	8.50m	SMW 5.7m	52 sq m *	Ripstop Nylon 2017 0.9 oz Tri-radial	£1056
--	------	------	-------	-------------	-----------	---	-------

\*average luff /leach times average width

### STORM CANVAS

<b>Trisail</b>	14'8"	12'8"	22'4"	12'8"	93	?? 1970's	Refurbished 2015
----------------	-------	-------	-------	-------	----	-----------	------------------

+ 18 m double Sheet ( old main sheet @ 2000)  
Sheet knotted to sail - Bowlines can flog undone & shackles v. dangerous when sail flogs etc)

<b>Storm Jib</b>	5.0m	2.4	3.8	?	4.3 sq m	Fleuro orange/white	2018 £348
------------------	------	-----	-----	---	----------	---------------------	-----------

Tack strop 1.5 m

### DIMENSIONS (effective) & DEFINITIONS

P = 11.76m Masthead to boom  
 E = 5.49 m Boom – mainsail foot length (Whole boom = 6.08 m)  
 I = 9.28 m Foresail block to deck FL = 9.9m Forestay length  
 J = 3.28m Mast to Forestay at deck level

LP = Luff Perpendicular : Shortest distance from Clew to Luff

Sail Area = L x LP/2      Overlap Percentage (Foresails) = (LP / J) %  
 "HSA (Genoa) different IRC calculation

Main Sail Battens - sewn in Slides - Aqua Batten A 107 Genoa/Jib Hanks : 3.5"

Sq feet to Sq m 10.764 = 1 = 0.093      Feet to Metres 3.281 = 1 = 0.305

Sail Area : 1937 - 537 sq ft / 49.9 sq m - as per Lloyds Register  
 2006 - 45.6 sq m - Main + No 1  
 51.5 sq m - Main + Genoa

**WIND SPEED** – convert True to Apparent - approximate conversions  
 Running Subtract boat speed  
 Beating Add 3/4 to boat speed  
 Reaching Add 1/2 " "